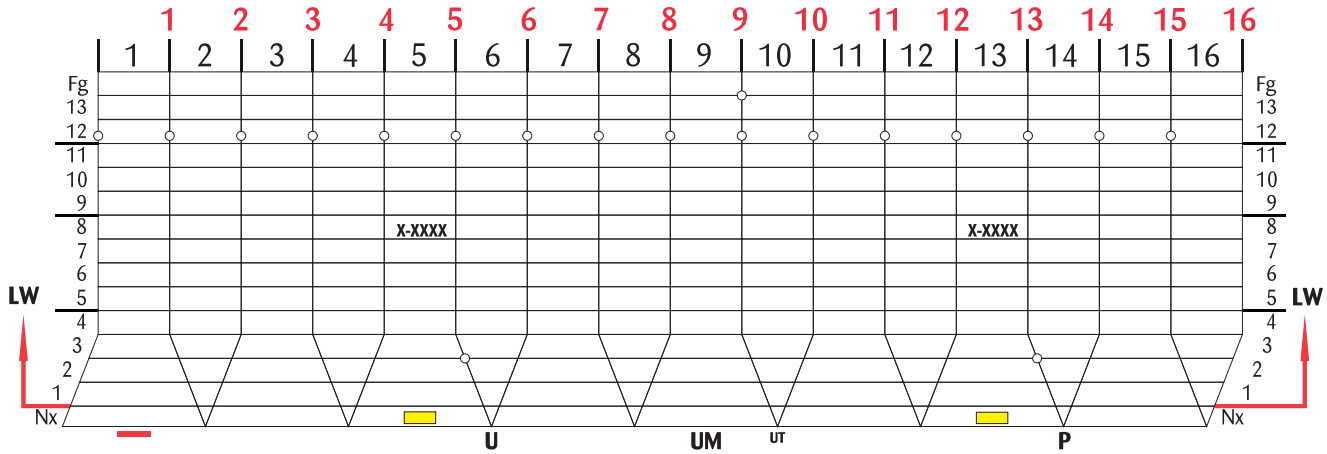
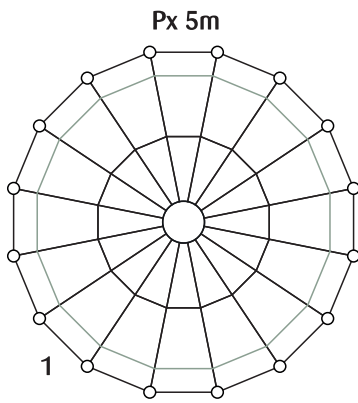
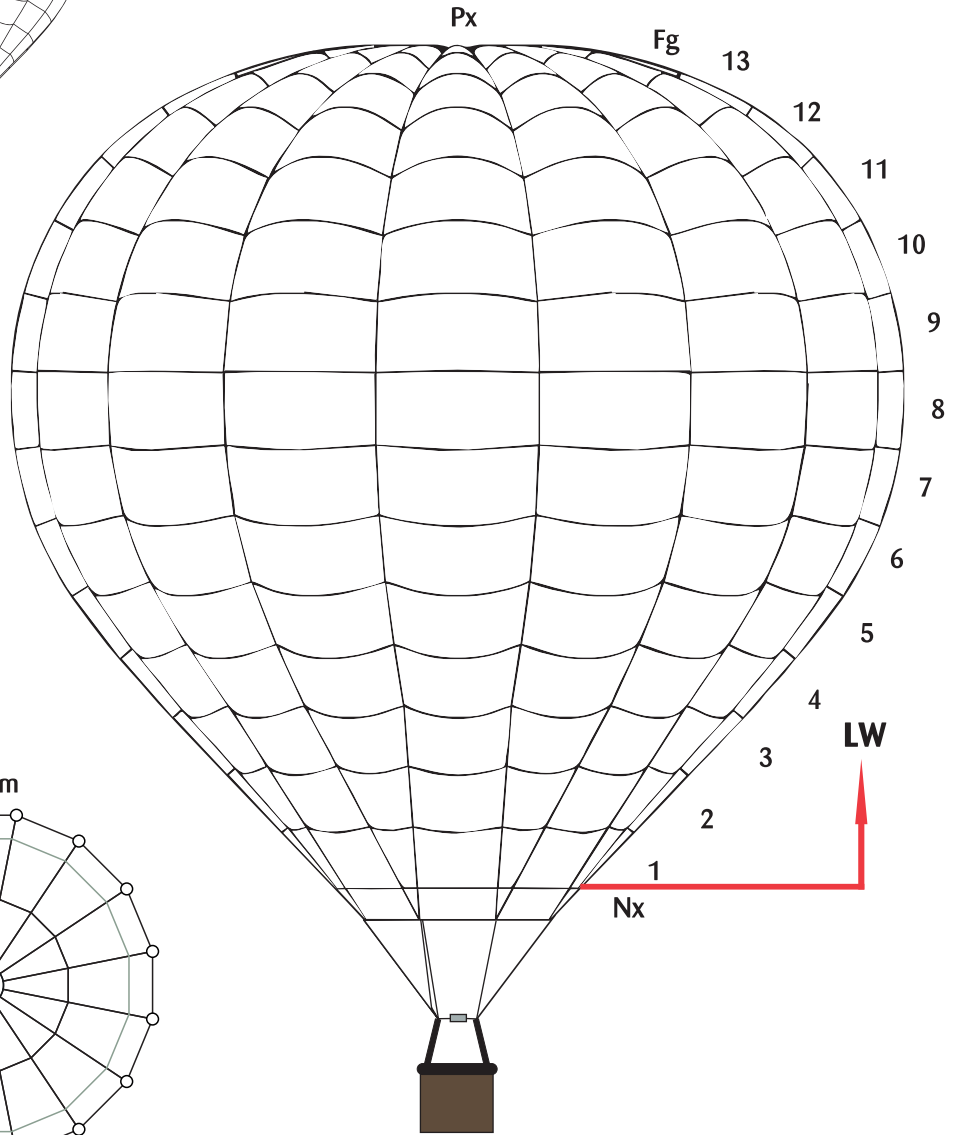
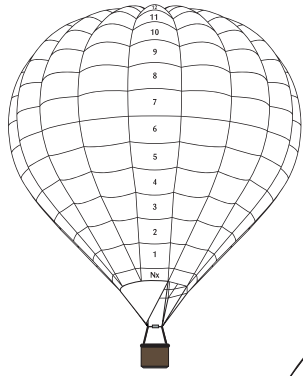


# U L T R A M A G I C

# S-70



drawing :

Date  Signed